

Mobile Head MH

Open orbital weld heads

Tube to tube, tube to fitting - The open orbital weld heads of the MH series are impressive with a diverse range of applications. What is more, they have a narrow and very lightweight design. As a result, the Mobile Head series is perfectly suitable for use at construction sites.

MH 4.5 front view



MH 4.5 Scanning wheel



MH 4.5 control panel



The open orbital weld heads of the MH series are used wherever thin-walled stainless steel tubes are welded in tube installation. They have a compact design and are equipped with a narrow weld head housing with the result that it is possible to weld even under narrow conditions. The Mobile Head is compatible with the orbital welding power supplies of the SW series and the Mobile Welder.

Flexible in application

The gas-cooled, infinitely variable swiveling torch body can be adjusted in position and angle and in addition to the classic tube I-seam applications, among others, makes it possible to weld fillet welds as well. The weld heads can be used flexibly, without additional accessories, in the widest range of applications, e.g. Tube to tube, tube to fitting and tube to extrusion. The mechanically adjustable electrode scanning guarantees in addition a consistent electrode gap during the entire welding process.

Mobile in use

The Mobile Head series is impressive, with a light (4-6 kg) and as a result is ideally suited for mobile use in the assembly environment. Every relevant operating function can be accessed right on the weld heads via the control panel integrated in the handhold. What is more, the open orbital weld heads are easy to operate. All of the main mechanical adjustments can be made without any tools.

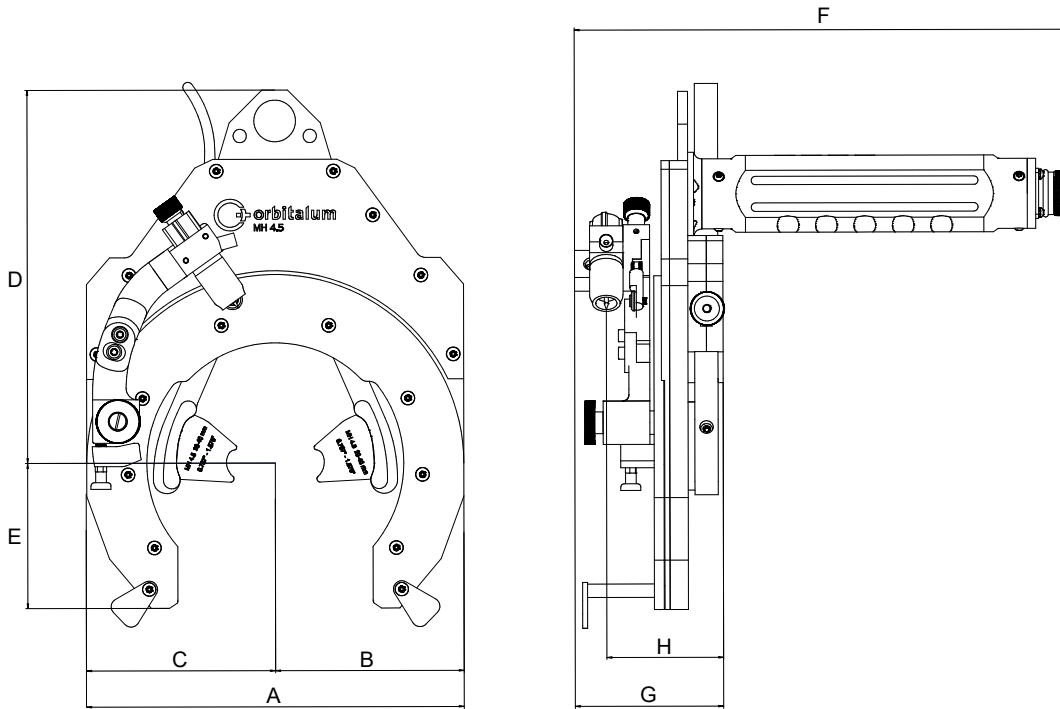
The rotating scanning wheel protects the tube surface and thus prevents damage caused by scanning.

Different tube diameters

The open orbital weld heads of the MH series can be adjusted to the desired tube diameter via an infinitely variable clamping mechanism in order to fix the weld heads in place on the tube securely and free of play. The clamping range can be easily expanded by using the reduction jaws included in the scope of delivery.

The MH series consists of three different sizes and as a result covers a broad range of tube dimensions: MH3.0, MH4.5, MH6.6.

DIMENSIONS (VALUES, SEE TABLE):



ORBITAL WELD HEADS		MH 3.0	MH 4.5	MH 6.6
Code		803 000 001	804 000 001	805 000 001
TECHNICAL SPECIFICATIONS				
Application area	[mm]	10 - 76,20	20 - 114,30	40 - 168,30
	[inch]	0.394 - 3.000	0.787 - 4.500	1.575 - 6.626
Electrode lengths	[mm]	30 - 55	30 - 55	30 - 55
	[inch]	1.181-2.165	1.181-2.165	1.181-2.165
Machine weight including power/gas cable	[kg]	4,24	5,42	6,11
	[lbs]	9,35	11,95	13,47
Power/gas hose length	[m]	7,00	7,00	7,00
	[ft]	23,00	23,00	23,00
Dimension "A":	[mm]	150,00	226,00	290,00
	[inch]	5,91	8,90	11,42
Dimension "B":	[mm]	75,00	113,00	145
	[inch]	2,95	4,45	5,71
Dimension "C":	[mm]	75,00	113,00	145
	[inch]	2,95	4,45	5,71
Dimension "D":	[mm]	171,50	223,5	251,00
	[inch]	6,75	8,799	9,92
Dimension "E":	[mm]	60,99	87,00	110
	[inch]	2,40	3,43	4,33
Dimension "F":	[mm]	296,70	296,70	296,70
	[inch]	11,68	11,68	11,68
Dimension "G":	[mm]	88,90	88,90	88,90
	[inch]	3,50	3,50	3,50
Dimension "H":	[mm]	69,90 - 73,90	69,90 - 73,90	69,90 - 73,90
	[inch]	2,75 - 2,909	2,75 - 2,909	2,75 - 2,909

Technical specifications are non-binding. They do not constitute any assurance of properties. We reserve the right to make changes.

ORBITAL WELD HEADS		MH 3.0	MH 4.5	MH 6.6
Code		803 000 001	804 000 001	805 000 001
SCOPE OF DELIVERY				
Transport box		●	●	●
Consumables/set of tools		●	●	●
MH 3.0 reduction jaws 10 - 30 mm (0.394 - 1.181 in)		●	○	○
MH 3.0 reduction jaws 30 - 45 mm (1.181 - 1.772 in)		●	○	○
MH 4.5 reduction jaws 20 - 40 mm (0.787 - 1.575 in)		○	●	○
MH 4.5 reduction jaws 40 - 80 mm (1.575 - 3.150 in)		○	●	○
MH 6.6 reduction jaws 40 - 80 mm (1.575 - 3.150 in)		○	○	●
MH 6.6 reduction jaws 80 - 120 mm (3.150 - 4.724 in)		○	○	●
Operating instructions with spare parts list		●	●	●
OTHER FEATURES				
Electrode angle adjustment		●	●	●
Electrode gap spacer		●	●	●
Infinitely variable adjustable clamping system		●	●	●
Swiveling torch body		●	●	●
Integrated control panel		●	●	●
Safety eyelet		●	●	●
Torch arm bracket adjustable		●	●	●
Torch fine-tuning		●	●	●
Torch arm latch		●	●	●

● = Function included

○ = Function not included



Mobile Head MH 4.5

Open orbital weld heads MH

Mobile Head MH 3.0 Mobile Head MH 4.5 Mobile Head MH 6.6

Properties, application area, technical specifications and delivery scope, see from page 71.

The following accessories are mandatory for the use of the MH orbital weld heads and must be ordered separately:

- Control cable, see page 101
- Ground cable, see page 101

ITEM	CODE	MACHINE WEIGHT KG*
Mobile Head MH 3.0	803 000 001	4.240
Mobile Head MH 4.5	804 000 001	5.420
Mobile Head MH 6.6	805 000 001	6.110

* Machine weight including power/gas cable.

Suitable accessories (optionally available):

- Ground cable, see page 101
- Control cable, see page 101
- Hose assembly extensions, see page 100
- ORBmax residual oxygen meter, see page 98
- ORBIPURGE Forming set, see page 99
- WS2 tungsten electrodes, see page 100
- Electrode grinders ESG, see page 94